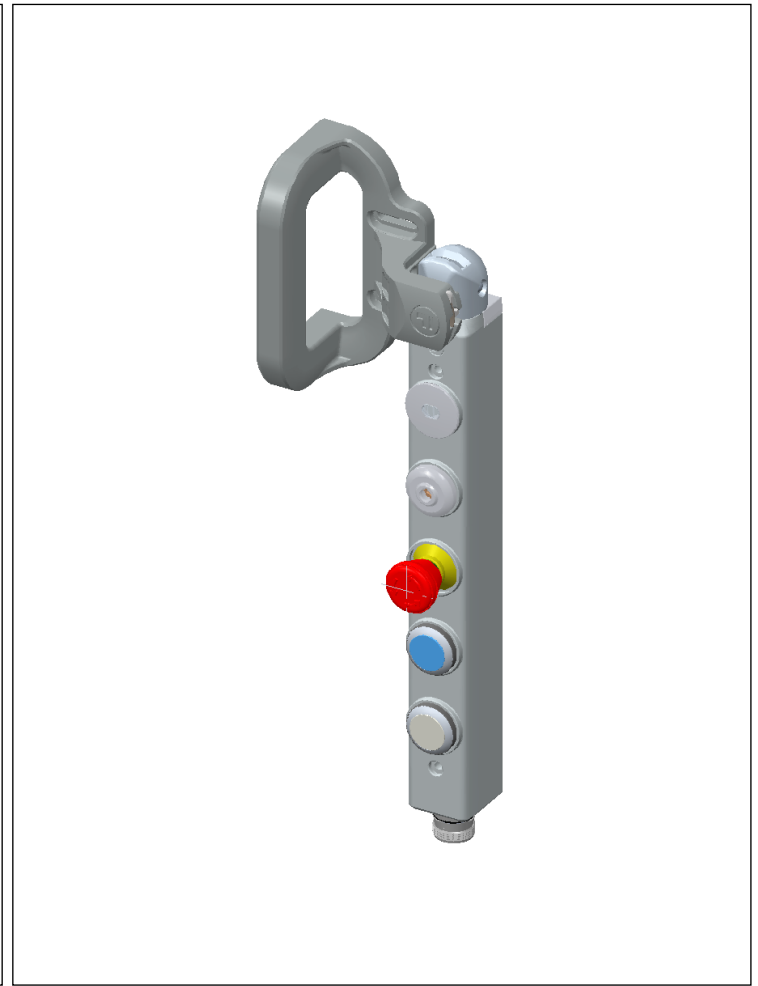
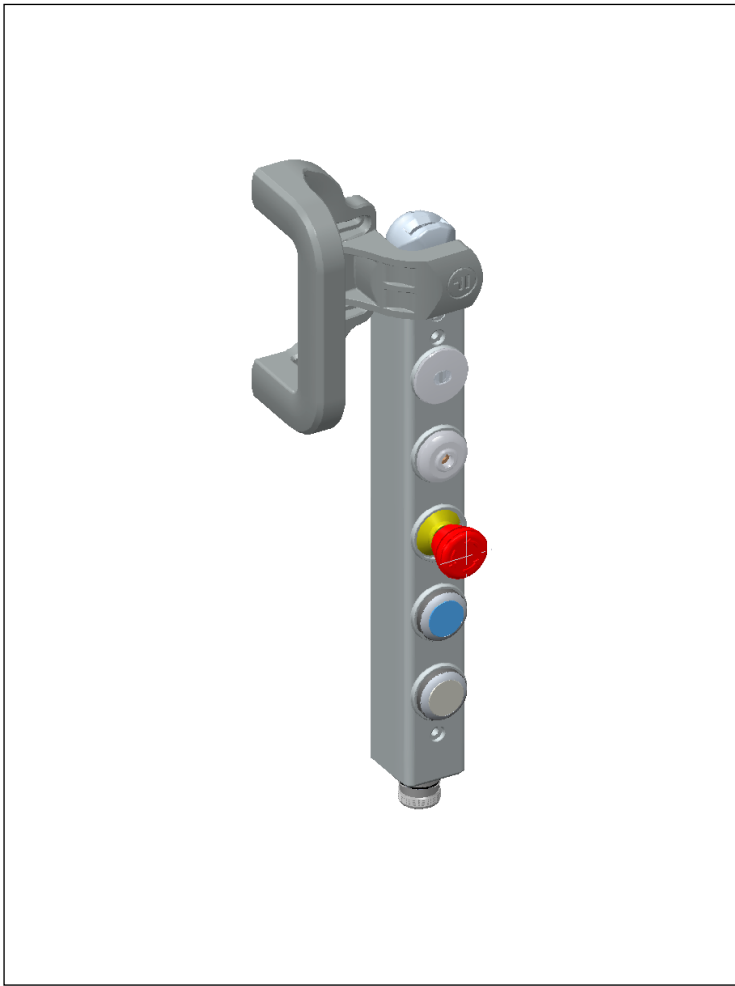


## Datasheet for THHSM DUECSR P7Q9



### Breakdown List

Item number: ITM-00392122	
Part	Description
THH	Head module including hinged actuator
TSM DU	Power to Unlock - head & solenoid safety in serie
TEC	Twist Reset, series wiring
TSR	Start Re-start Switch - Blue
TP7	Illuminated Push Button - White
TQ9	19 Pin M23 QD Safety & Control

## Datasheet for THHSM DUECSR P7Q9

### Technical Specification

tGard offers "a customised safety solution, as standard" and is defined by a range of tGard elements, including selector switches, safety switches(solenoid and non solenoid), personnel keys(safety keys), emergency release, push buttons, estops, indicator lamps and a choice of operating handles for both hinged and sliding guard doors. These elements are simply selected and then assembled into a robust housing, suitable for mounting onto machine guarding, providing the user with an exact configuration specific to the application.

tGard is quick and easy to install and can be mounted directly onto a flat surface, doors or extruded aluminium profiles without the need for mounting plates or brackets. It is IP65 as standard and has been designed to be fully compliant with the new machinery safety standards.

#### Technical Specification

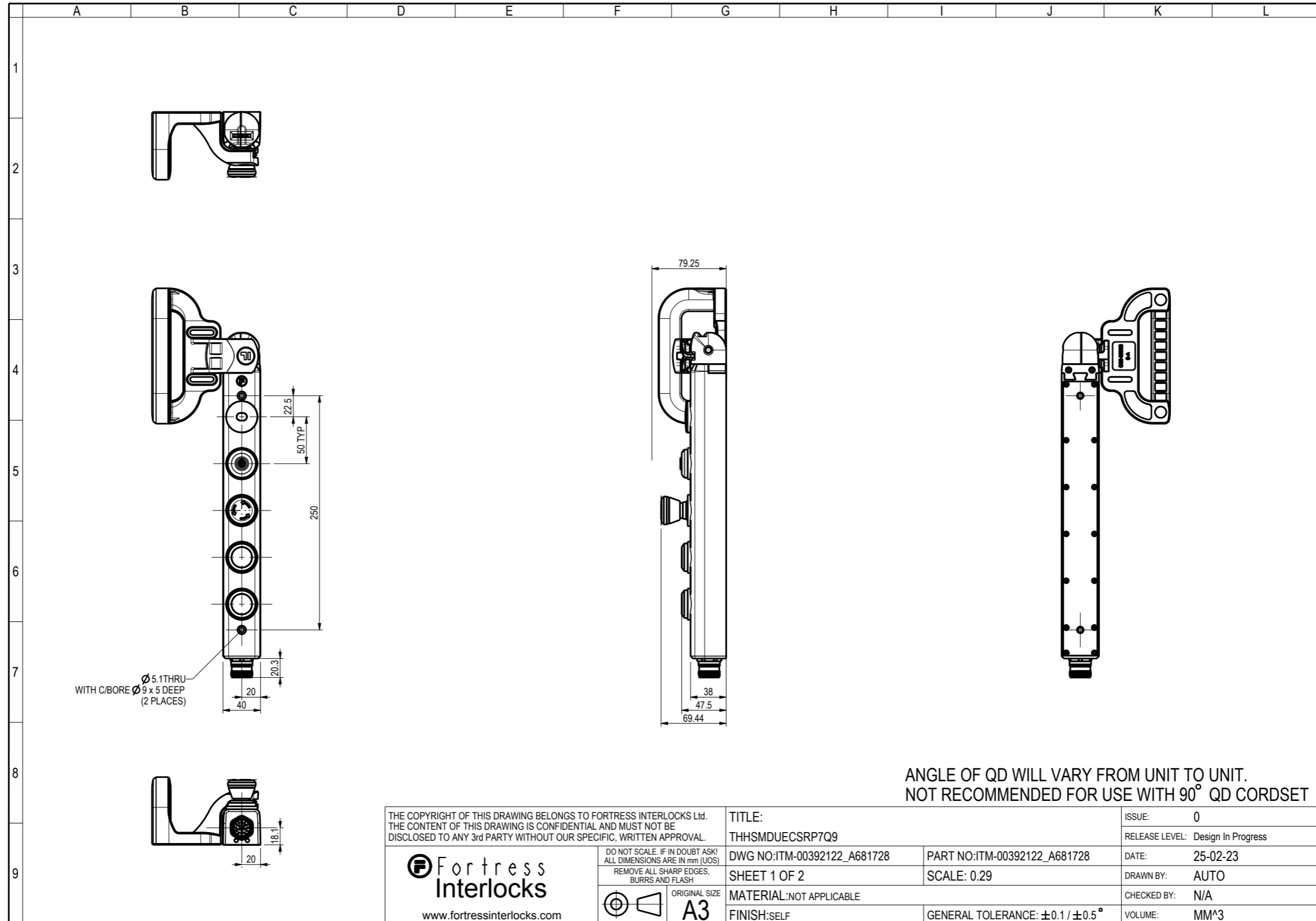
Housing Materials	THH	Painted die cast zinc alloy
	TSMDU	Painted die cast aluminium
	TEC	
	TSR	
	TP7	
Contact Material	TSMDU	Silver
	TSR	Gold
Colour	THH	Dark Grey
	TSMDU	
	TSR	
	TP7	
	TEC	Red
Ambient Temperature	-25°C to 40°C (-13°F to 104°F)	
Environment	THH	Indoor
	TSMDU	
	TEC	
	TSR	
	TP7	
	TQ9	
Ingress Protection	THH	IP65****
	TSMDU	
	TEC	
	TSR	
	TP7	
	TQ9	
Retention Force	THH	2500N
	TSMDU	2500N(locked)
Operating Force	THH	5N to 10N
Mechanical Life	THH	1,000,000 Operations
	TSMDU	
	TSR	
Maximum Frequency of Operations	THH	1 per second
	TSMDU	
Switching Contact Element	TSR	1 NO 1 NC
	TP7	1 output
Solenoid Rating	TSMDU	350mA max @ 24VDC

## Datasheet for THHSM DUECSR P7Q9

Voltage	TQ9	24V DC
Switches Conformance	TEC	IEC 60947-5-1
	TSR	
Safety Switch Type	TSMDU	DC13: Le=0.5A, Ue=24V DC AC15: Le=1A, Ue=24V AC
Monitoring Switches	TSMDU	DC13: Le=0.5A, Ue=24V DC
Min hinged door radius	THH	150mm (using TAH actuator handle)
Electrical Life	TSMDU	1,000,000 Operations
	TSR	
	TP7	
Operating Life	TP7	1,000,000 momentary version 500,000 latching version
Switching Principle	TEC	Positive Break
	TSR	
Switching Current	TEC	1mA MIN / 100mA MAX
	TSR	
	TP7	
Switching Voltage	TEC	24V
	TSR	
	TP7	
Isolating Distance	TSR	2mm per switch element
LED Life	TP7	100,000 hours on time
Max current on power supply	TQ9	0.75A
**** IP protection is to the tGard stack that this module attaches to, when correctly fitted according to installation and maintenance instructions.		

Datasheet for THHSM DUECSR P7Q9

Full Dimensional Drawing



### Datasheet for THHSM DUECSR P7Q9

	A	B	C	D	E	F	G	H	I	J	K	L																								
1																																				
2	<table border="1" style="margin: auto;"> <tr> <td style="width: 50px;">Item</td> <td>THHSM DUECSR P7Q9</td> </tr> </table>												Item	THHSM DUECSR P7Q9																						
Item	THHSM DUECSR P7Q9																																			
3	<table border="1" style="margin: auto;"> <tr> <td style="width: 50px;">HEAD</td> <td>1</td> <td>2</td> <td>3</td> <td>4</td> <td>5</td> <td>6</td> <td>7</td> <td>8</td> <td>9</td> <td>10</td> <td>Base</td> </tr> <tr> <td>THH</td> <td>SM</td> <td>DU</td> <td>EC</td> <td>SR</td> <td>P7</td> <td></td> <td></td> <td></td> <td></td> <td></td> <td>Q9</td> </tr> </table>												HEAD	1	2	3	4	5	6	7	8	9	10	Base	THH	SM	DU	EC	SR	P7						Q9
HEAD	1	2	3	4	5	6	7	8	9	10	Base																									
THH	SM	DU	EC	SR	P7						Q9																									
4		Input	Output	2nd Output	SC1 in	SC2 in	SC1 out	SC2 out	SC3 in	SC4 in	SC3 out	SC4 out	SC5 in	SC6 in	SC5 out	SC6 out	+24V	0V	Earth																	
5	TSM	-	10	-	1	2	*****	*****	-	-	-	-	-	-	-	-																				
6	TDU	8	9	-	*****	*****	*****	*****	-	-	-	-	-	-	-	-																				
7	TEC	-	-	-	*****	*****	3	4	-	-	-	-	-	-	-	-																				
8	TSR	-	-	-	-	-	-	-	15	16	17	18	-	-	-	-																				
9	TP7	5	7	-	-	-	-	-	-	-	-	-	-	-	-	-																				
10	TQ9	-	-	-	-	-	-	-	-	-	-	-	-	-	-	-	19	6	12																	
11	<p>Note: 2nd Output = Anti Clock turn on 3 Pos. Switch          Note: ***** denotes safety element is wired in series to other safety elements</p>																																			
12																																				
13																																				
14																																				
15																																				
16																																				
17																																				
18																																				
19																																				
20																																				
21																																				
22																																				
23																																				
24																																				
25																																				
26																																				
27																																				
28																																				
29																																				
30																																				
31																																				
32																																				
33																																				
34																																				
35																																				
36																																				
37																																				
38																																				
39																																				
40																																				
41																																				
42																																				
43																																				
44																																				
45																																				
46																																				
47																																				
48																																				
49																																				
50																																				
51																																				
52																																				
53																																				
54																																				
55																																				
56																																				
57																																				
58																																				
59																																				
60																																				
61																																				
62																																				
63																																				
64																																				
65																																				
66																																				
67																																				
68																																				
69																																				
70																																				
71																																				
72																																				
73																																				
74																																				
75																																				
76																																				
77																																				
78																																				
79																																				
80																																				
81																																				
82																																				
83																																				
84																																				
85																																				
86																																				
87																																				
88																																				
89																																				
90																																				
91																																				
92																																				
93																																				
94																																				
95																																				
96																																				
97																																				
98																																				
99																																				
100																																				

<p style="font-size: 8px;">THE COPYRIGHT OF THIS DRAWING BELONGS TO FORTRESS INTERLOCKS Ltd.          THE CONTENT OF THIS DRAWING IS CONFIDENTIAL AND MUST NOT BE          DISCLOSED TO ANY 3rd PARTY WITHOUT OUR SPECIFIC, WRITTEN APPROVAL.</p> <p style="font-size: 8px;">www.fortressinterlocks.com</p>	<p style="font-size: 8px;">DO NOT SCALE. IF IN DOUBT ASK!          ALL DIMENSIONS ARE IN mm (UOS)          REMOVE ALL SHARP EDGES,          BURRS AND FLASH</p> <p style="font-size: 12px; font-weight: bold;">A3</p>	<p style="font-size: 8px;">TITLE:  <b>WIRING TABLE FOR THHSM DUECSR P7Q9</b></p> <p style="font-size: 8px;">DWG NO: ITM-00392122_A681728    PART NO: ITM-00392122_A681728</p> <p style="font-size: 8px;">SHEET 2 OF 2    SCALE: 0.29</p> <p style="font-size: 8px;">MATERIAL: NOT APPLICABLE    FINISH: SELF</p> <p style="font-size: 8px;">GENERAL TOLERANCE: ±0.1 / ±0.5°</p>	<p style="font-size: 8px;">ISSUE: 0</p> <p style="font-size: 8px;">RELEASE LEVEL: Design In Progress</p> <p style="font-size: 8px;">DATE: 25-02-23</p> <p style="font-size: 8px;">DRAWN BY: AUTO</p> <p style="font-size: 8px;">CHECKED BY: N/A</p> <p style="font-size: 8px;">VOLUME: 0.000 MM^3</p>
---	---	---	---